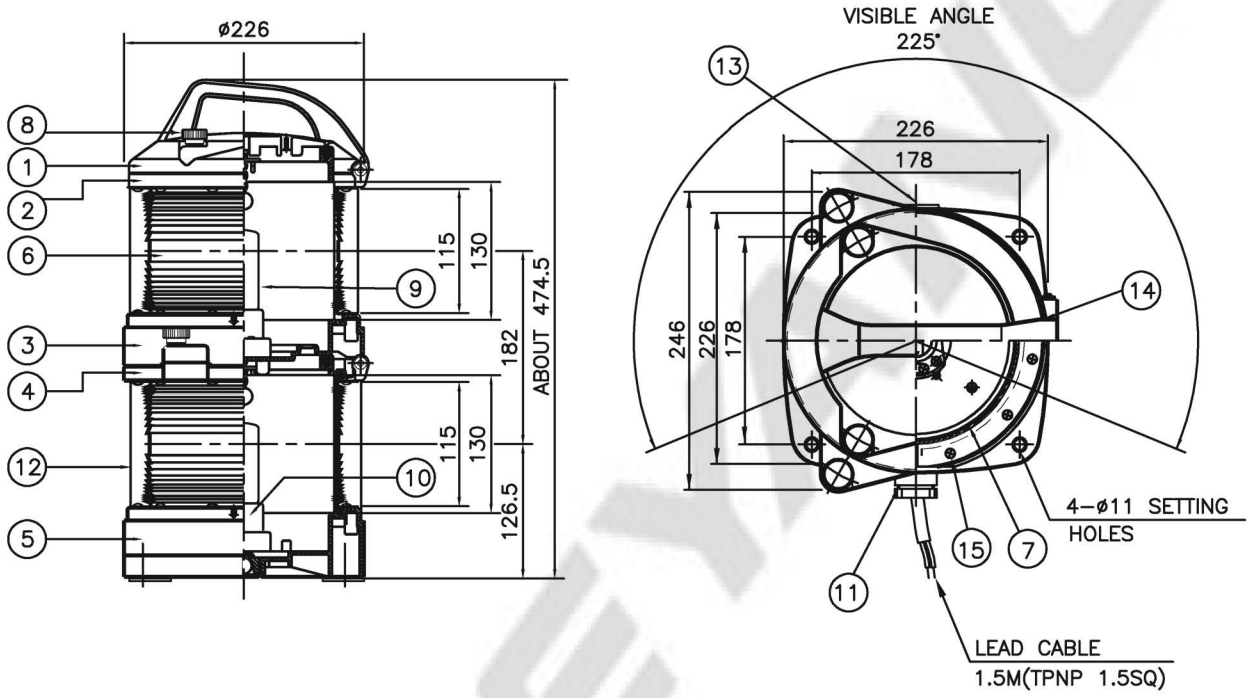


|          |                    |                 |
|----------|--------------------|-----------------|
| CAPACITY | SYMBOL/ SERIAL NO. | CIRCUIT DIAGRAM |
| DC 24V   |                    |                 |
| 40W x 2  |                    |                 |

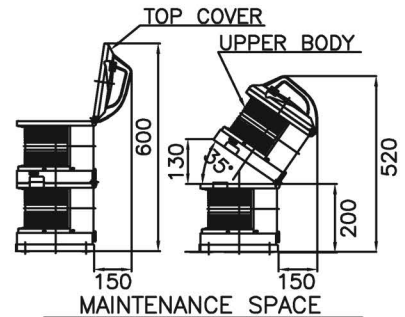


**NOTE**

1. APPLICATION RANGE : VESSEL OF 50M IN LENGTH AND ABOVE
2. MINIMUM VISIBILITY : 6 N.M

**\* CAUTION!!**

Do not install the navigation light upside down.  
 Since breathing device is installed on the bottom of fixture.  
 (설치 시 주의하십시오. 항해등의 바닥에는 호흡기가 설치되어 있으므로 거꾸로 설치하지 마십시오.)



| 16 | ANTI-VIBRATION PACKING | C.R.                | 4    | 5.0mm   | 8  | CLAMP BOLT    | BRASS           | 4    |         |
|----|------------------------|---------------------|------|---------|----|---------------|-----------------|------|---------|
| 15 | T/H TAPPING SCREW      | STAINLESS STEEL304  | 48   | M4      | 7  | GASKET        | SILICONE RUBBER | 2    |         |
| 14 | HINGE                  | POLYCAR-BONATE      | 2    |         | 6  | LENS          | POLYCAR-BONATE  | 2    | CLEAR   |
| 13 | NAME PLATE             | STAINLESS STEEL316L | 1    |         | 5  | LOWER BODY    | POLYCAR-BONATE  | 1    |         |
| 12 | SHIELD PLATE           | STAINLESS STEEL304  | 2    |         | 4  | LOWER TOPPER  | POLYCAR-BONATE  | 1    |         |
| 11 | CABLE GLAND(#20)       | NYLON               | 2    | ø12~ø15 | 3  | UPPER BODY    | POLYCAR-BONATE  | 1    |         |
| 10 | LAMP HOLDER            | PPS                 | 2    | P28s    | 2  | UPPER TOPPER  | POLYCAR-BONATE  | 1    |         |
| 9  | NAVIGATION LIGHT LAMP  | -                   | 2    | P28s    | 1  | TOP COVER     | POLYCAR-BONATE  | 1    |         |
| NO | NAME OF PARTS          | MATERIAL            | Q'TY | REMARKS | NO | NAME OF PARTS | MATERIAL        | Q'TY | REMARKS |

|          |            |       |           |  |           |                       |           |         |
|----------|------------|-------|-----------|--|-----------|-----------------------|-----------|---------|
| APPROVED | B. K. KIM  | UNIT  | MM        | TITLE;<br><br>MASTHEAD LIGHT<br>FOR MARINE USE |           |                       |           |         |
| CHECKED  |            | SCALE | N/S       |  |           |                       |           |         |
| DRAWING  | B. I. KIM  | COLOR | MAT BLACK |  |           |                       |           |         |
| DATE     | 2015.12.04 | IP    | 56        |  |           |                       |           |         |
|          |            |       |           |  | MODEL NO. | A2P-DM4024Hh-1.5M-MED | WEIGHT    | 5.76 Kg |
|          |            |       |           |  | DWG NO.   | L31210117             | SHEET NO. | 24      |